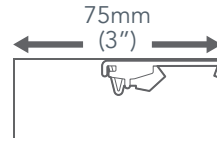
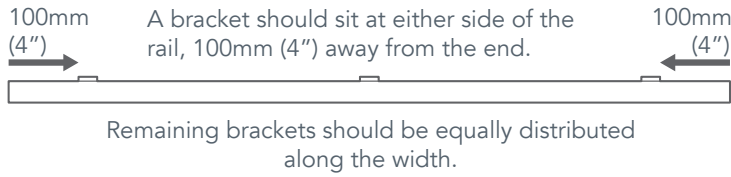
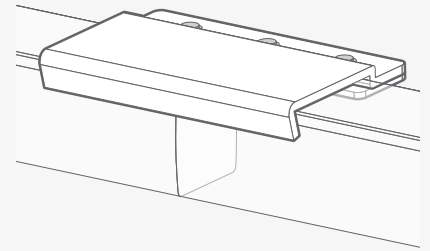
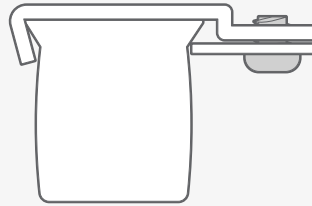
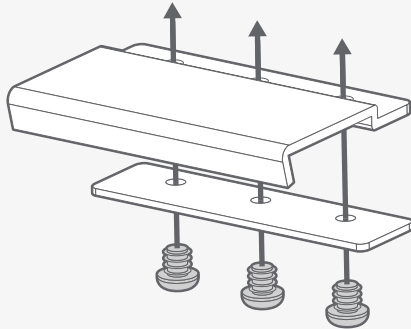


Before you begin



If you are using top-fix brackets, the front edge of the bracket must be at least 75mm (3") away from the facing surface behind the rail. This will ensure that the waves in the fabric do not brush against the wall or window behind.

If you have been supplied with 2 headrails:

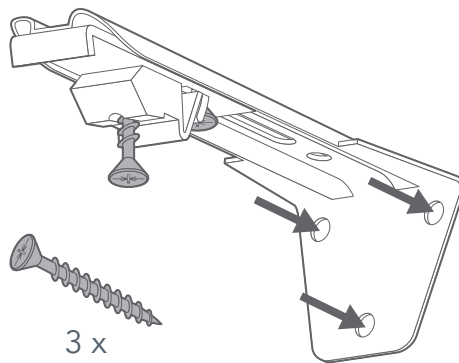


If your Curtains are over 2,500mm wide then you will be supplied with 2 headrails, which are joined together in the middle using the joining plate supplied.

Attach the joining plates before moving onto the next step. If you have not been supplied with joining plates, skip straight to step 1.

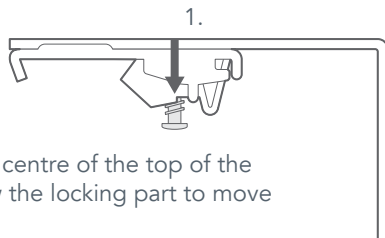
Installing the brackets

1

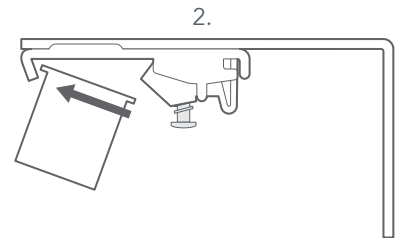


Face Fix Bracket

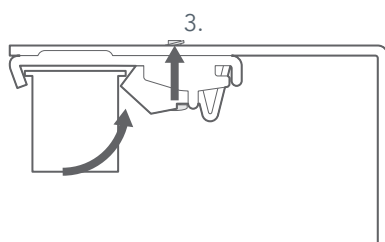
Use three screws to fix the bracket onto the facing surface.



Loosen the screw in the centre of the top of the bracket enough to allow the locking part to move back and forth.



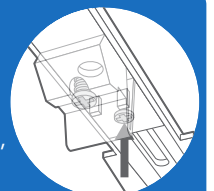
Locate the front lip of the curtain headrail into the front hook of the bracket.

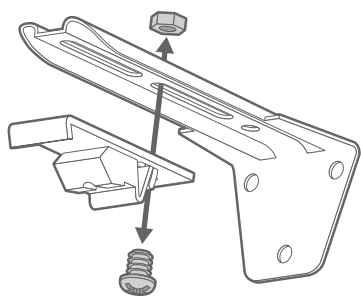


Rotate the headrail so that the back lip slots into the locking part of the bracket, then tighten the bracket screw to secure the rail in place.

Top-Tip:

The depth of the bracket is adjustable, allowing the track to be closer to or further from the fixing surface. Loosen the screw at the back of the top section, slide the section backwards or forwards to adjust, then tighten the screw to lock.

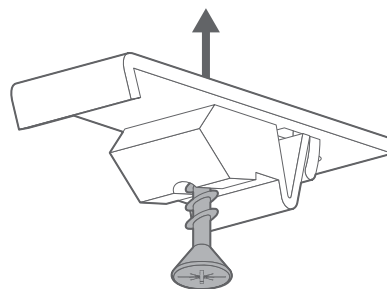




1.

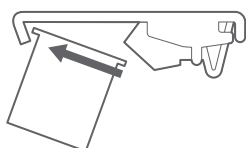
Top Fix Bracket

Start by removing the top fix bracket from the face-fix plate.



2.

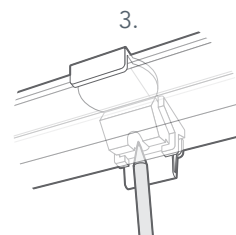
Clip the brackets onto the rail, spaced out as described at the start of this guide..



Locate the front lip of the curtain headrail into the front hook of the bracket.

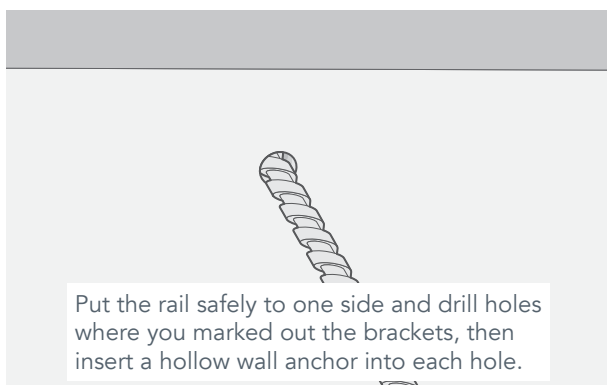


Rotate the headrail so that the back lip slots into the locking part of the bracket.



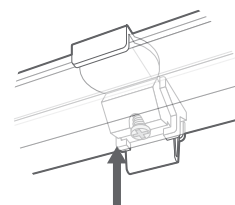
3.

Hold the rail up to the fitting surface and mark out the screw holes with a pencil.



4.

Put the rail safely to one side and drill holes where you marked out the brackets, then insert a hollow wall anchor into each hole.

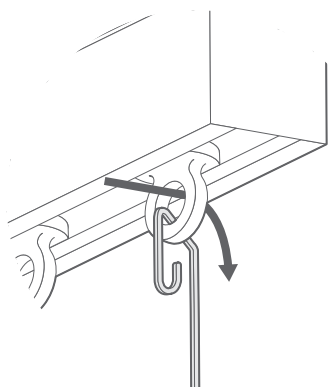


5.

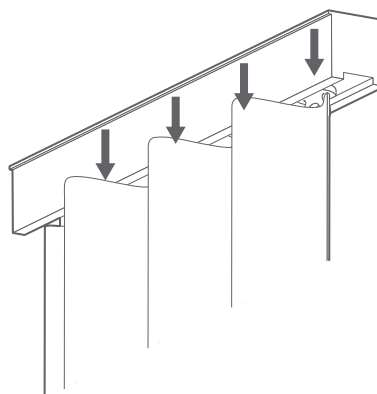
Use a single screw for each bracket, through the centre hole in the top of the bracket.

Hanging your curtains

2



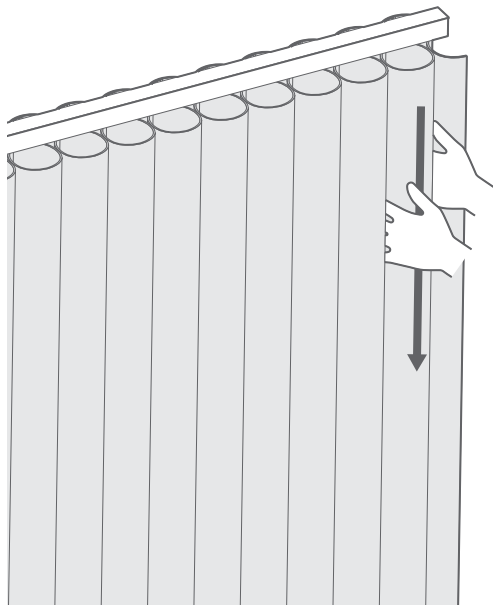
Insert the hooks into the plastic eyelets in the headrail.



Continue until all of the hooks are inserted, then enjoy your beautiful new curtains!

Dressing your curtains

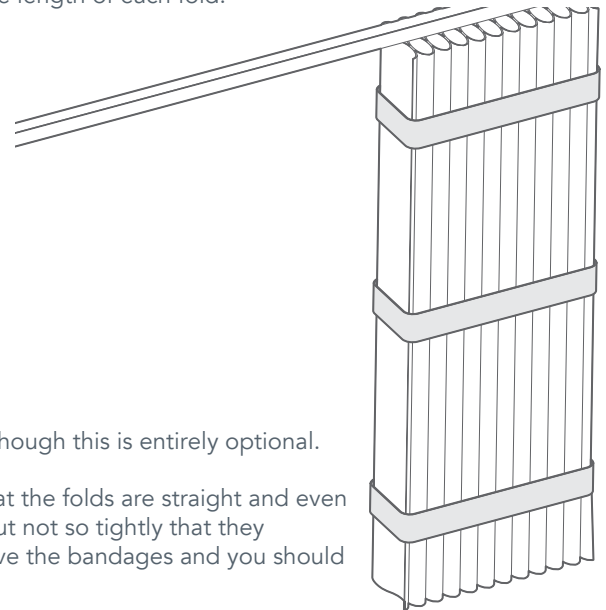
3



As curtains are a soft fabric product, a little dressing is sometimes required to finish the installation perfectly.

'Stack' the curtains over to the sides and check that the folds are all even in size and shape.

Starting from the outside edge, work from the top downwards and run your hands firmly down the length of each fold.



For a really professional finish, you can even 'bandage' the curtains, though this is entirely optional.

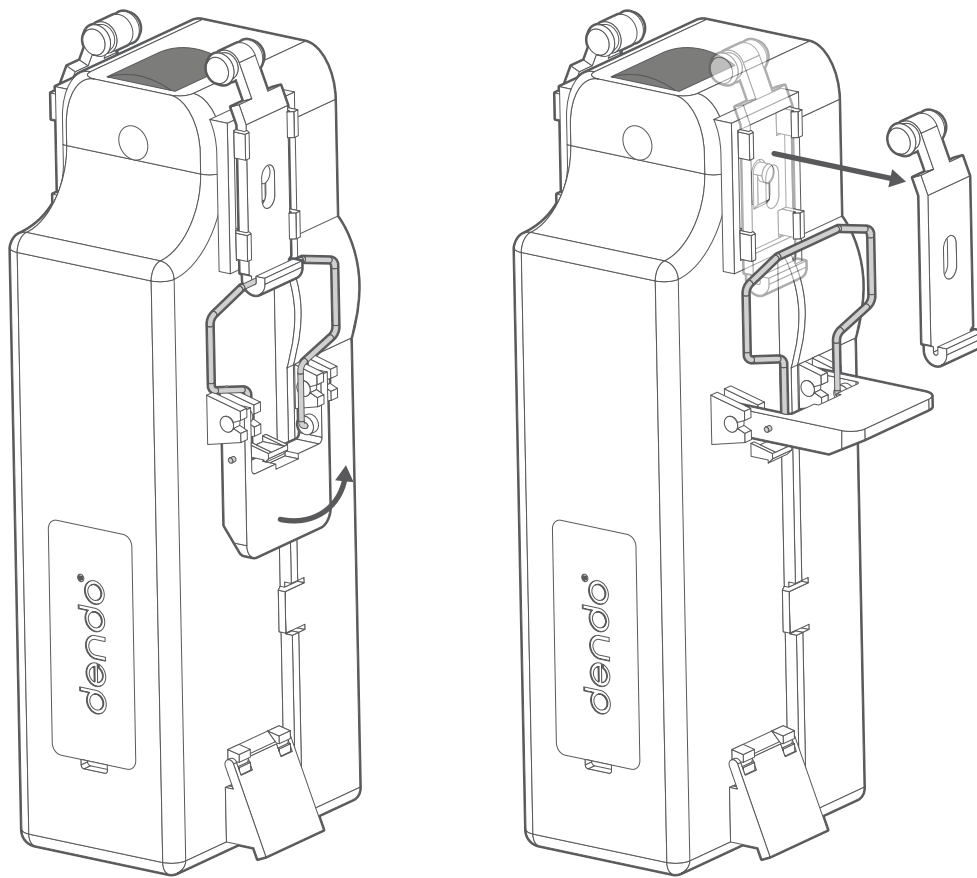
Wrap several runs of spare fabric around the curtains, making sure that the folds are straight and even as you do so - wrap them tightly enough to hold the folds in place, but not so tightly that they squeeze the fabric. Leave them bandaged for 2 or 3 days, then remove the bandages and you should find the folds are perfect.

Top-Tip:

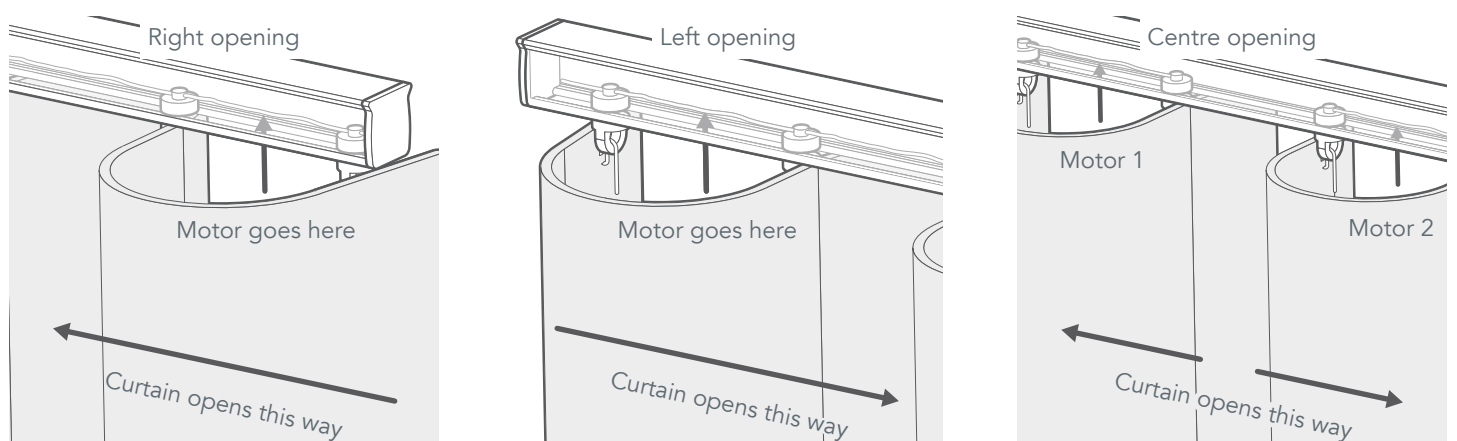
When you first unpack your curtains they may be quite creased - this is normal, as they've been folded and packed for transit. These creases will hang out over time and we recommend leaving them to do so. If you have access to an upright steamer though, you can try lightly steaming the fabric (on a low setting) to encourage those creases to drop out faster.

Hook the motor into the curtain rail

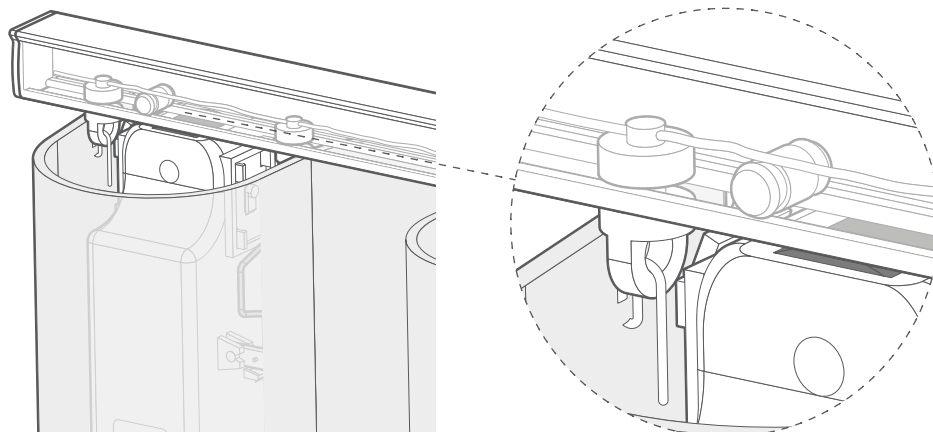
4



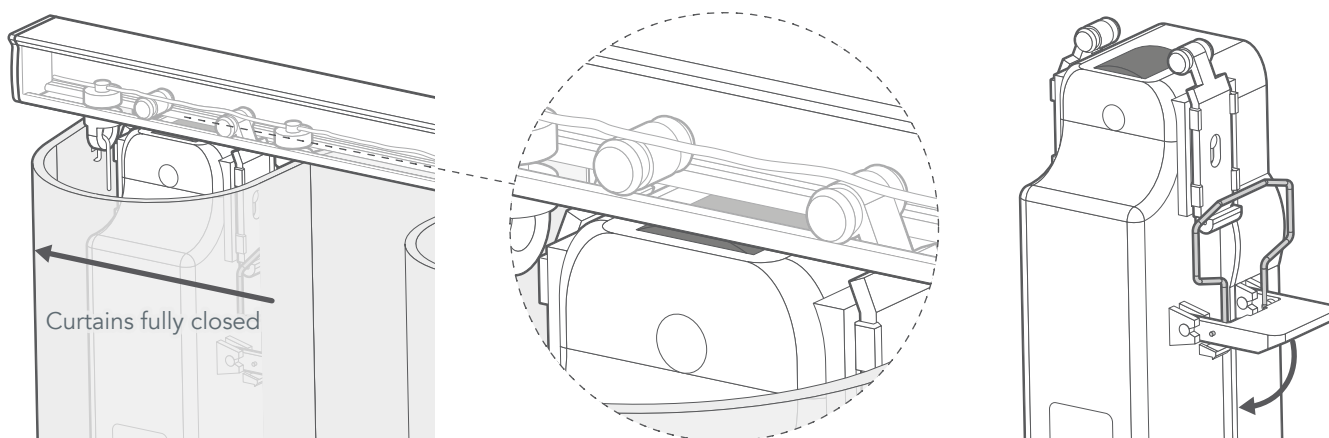
Start by unclipping one of the runners from the top of the motor. Lift the retaining clip then simply pull the runner free of its mounts on the side of the motor.



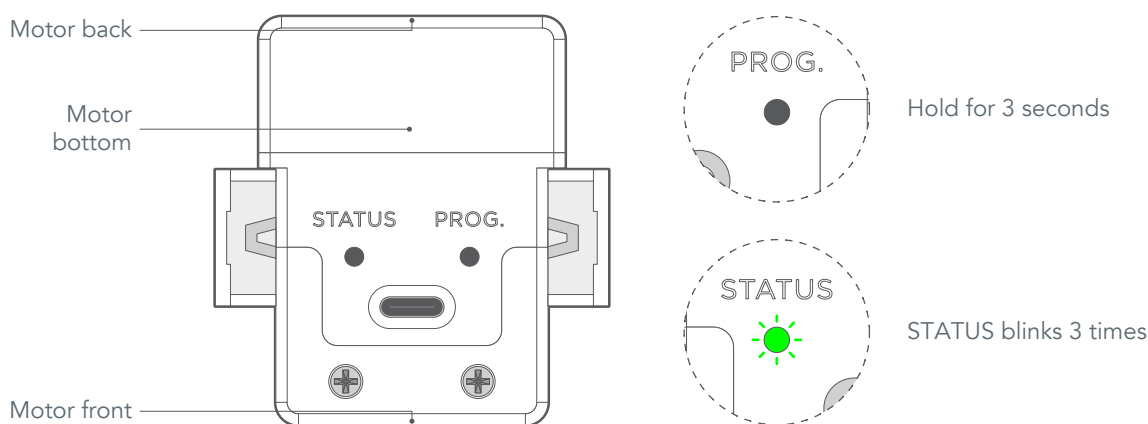
The motor will fit into the rail between the two outermost eyelets that the curtains are hooked onto, behind the curtains. For centre opening curtains you'll fit 2 motors, 1 behind each of the innermost eyelets. **The motor should be fitted whilst the curtains are closed.**



Lift the motor up behind the curtains and hook the runner that's still attached into the channel on the underside of the curtain rail.

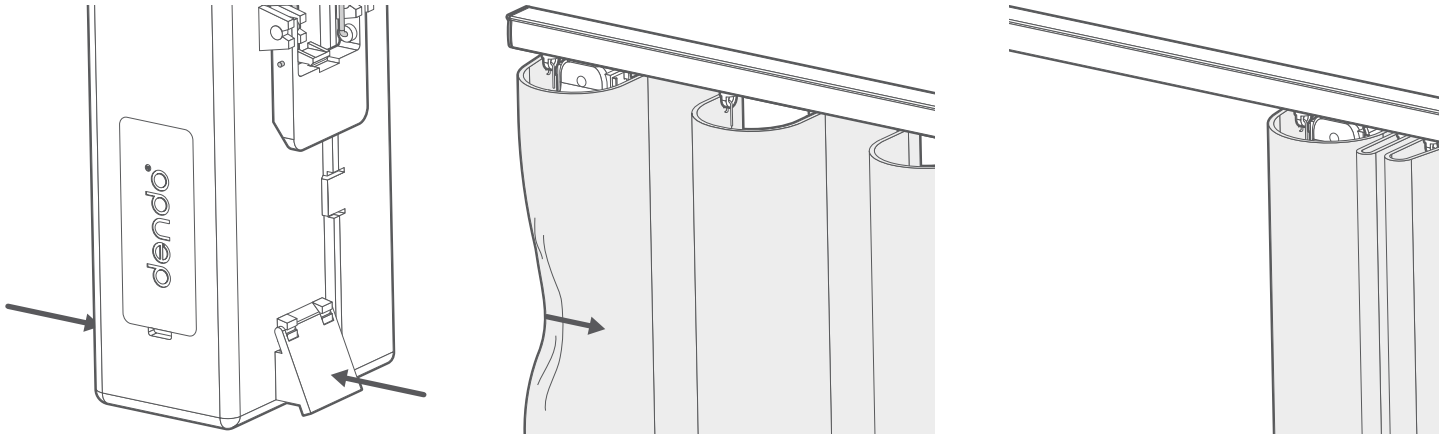


Take the runner you detached and hook it into place in the rail just as before, then clip it back into its mount on the side of the motor. Push the motor and curtain along the rail so that the curtains are in their fully closed position before locking the retaining clips on the sides of the motor.



The motor is in its 'deep sleep' state when it is sent to you and will not operate until it is removed from this state. To do so, simply press and hold the PROG. button on the bottom of the motor for around 3 seconds, until the STATUS light blinks 3 times. The motor is now operational.

To return the motor to its deep sleep state at any time, simply press and hold PROG. for 3 seconds until the STATUS light blinks 3 times.



Whilst the curtains are in their closed position, reach up behind the fabric and press and hold both of the paddles on the sides of the motor at the same time, until the motor 'jogs' back and forth briefly. This has set the fully closed 'stop-point' position of the motor.

Then, give the leading edge of the curtain a brief pull as though opening it - the motor will detect the movement and engage, moving along the track until it has pulled the curtains fully open. The motor will stop automatically when it detects that the curtains are fully open, and this will set the fully open 'stop-point' position of the motor.

Using the motor manually

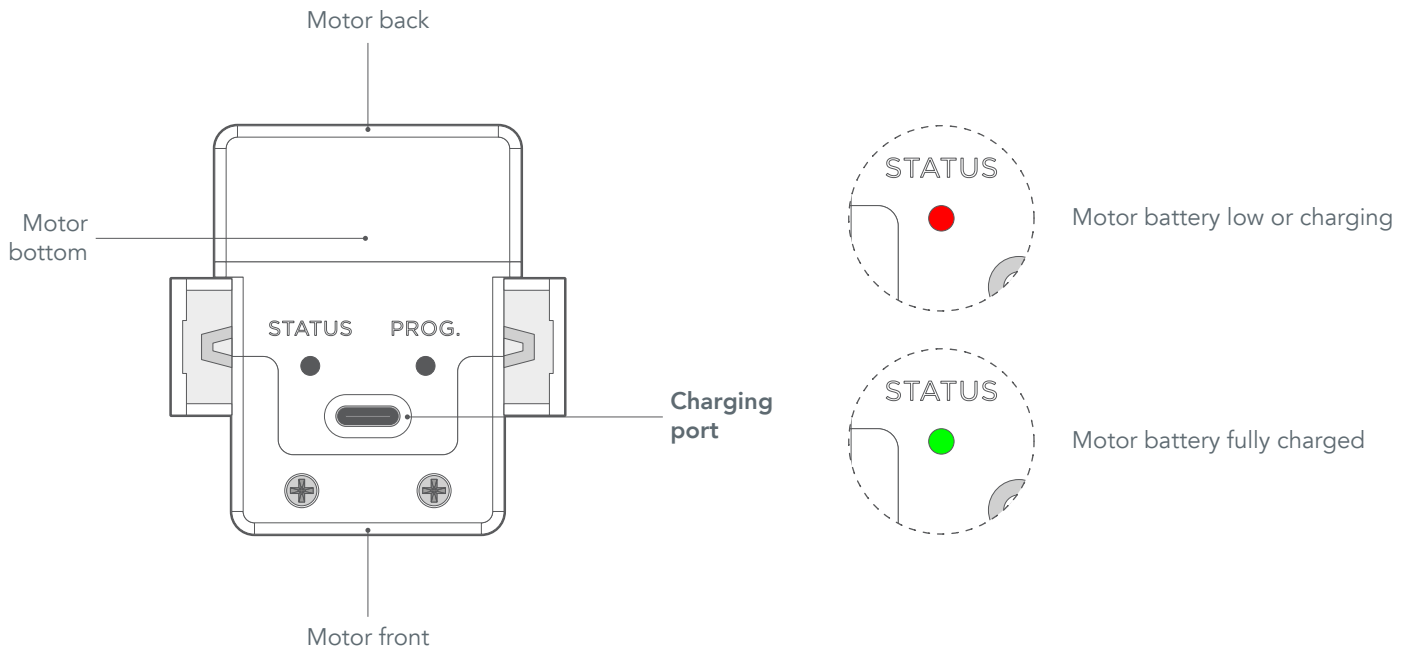
2



To open the curtains once the motor is installed, simply take the leading edge of the curtain and give it a sharp but gentle pull in the direction you want the curtain to open. The motor will detect the movement and engage, opening the curtain until fully open. To close the curtains, simply pull the leading edge of the curtain in the opposite direction.

Charging the motor

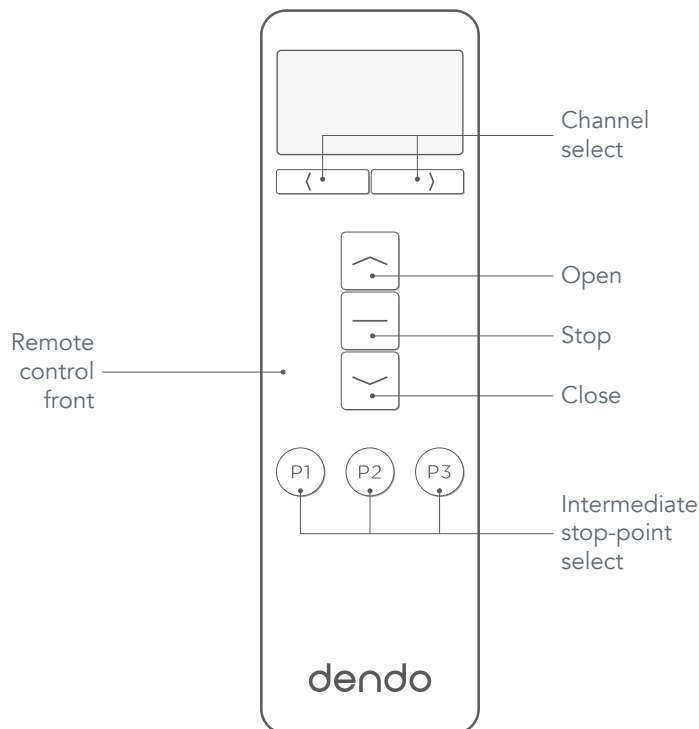
3



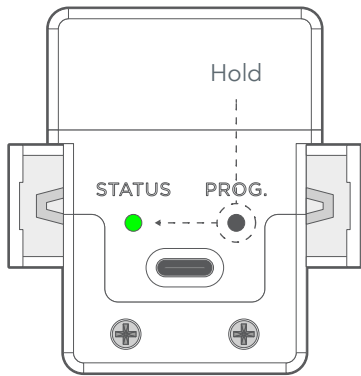
The motor has a USB-C charging port on the bottom. To charge the motor's battery, simply plug the charging cable into the charging port. A full charge typically takes around 8 hours if the battery is fully depleted. Whilst charging, the STATUS light on the bottom of the motor will glow red, then change to green when fully charged.

Programming and using a remote control

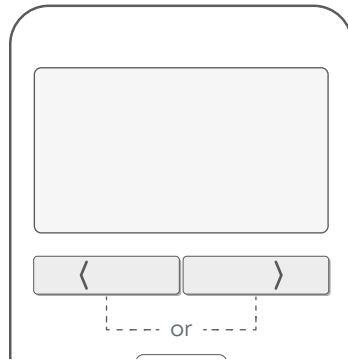
4



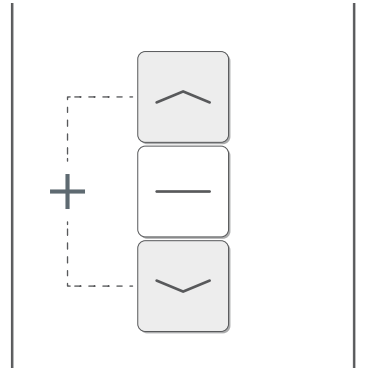
Pairing a motor with the remote control



On the bottom of the motor, press and hold the PROG. button until the STATUS light turns green.

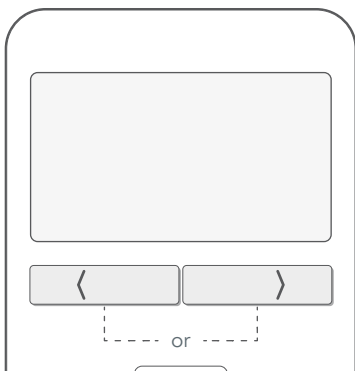


Use the channel select buttons on the remote control to select a channel to which you'd like to pair the motor.

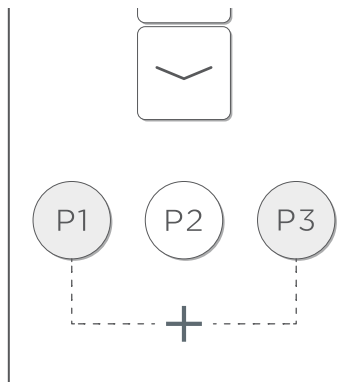


Hold the OPEN and CLOSE buttons on the remote at the same time until the motor 'jogs' briefly.

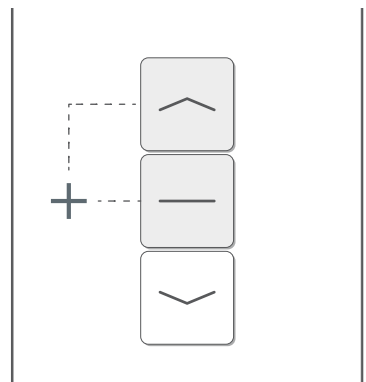
Deleting a motor from one remote channel



Select the channel you'd like to delete the motor from.

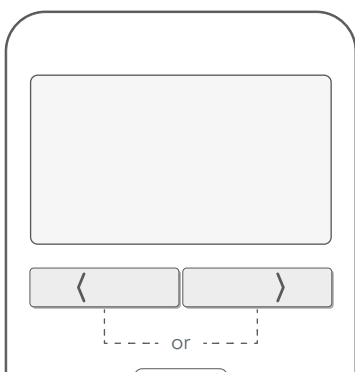


Press and hold the P1 and P3 buttons together until the motor 'jogs'. The motor is now in configuration mode.

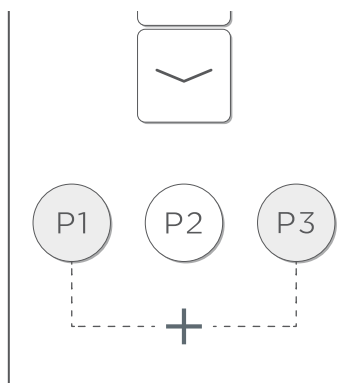


Hold the OPEN and STOP buttons until the motor 'jogs'. The motor is now deleted from that channel.

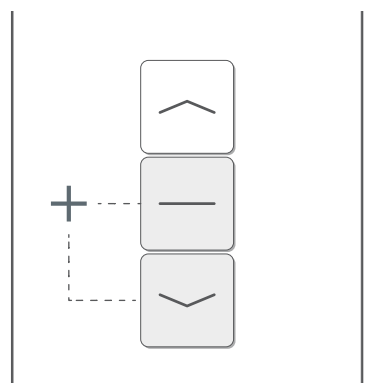
Deleting a motor from all channels and remote controls



Select any channel to which the motor is currently paired.

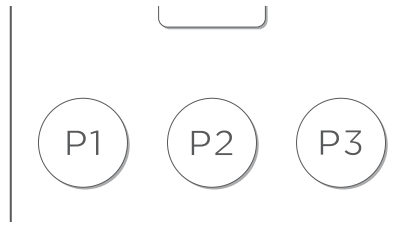


Press and hold the P1 and P3 buttons together until the motor 'jogs'. The motor is now in configuration mode.

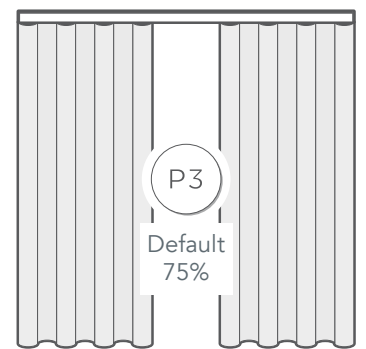
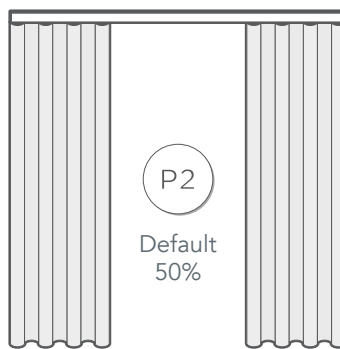
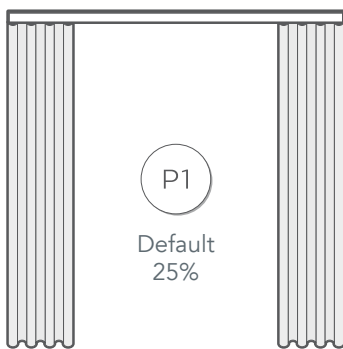


Hold the CLOSE and STOP buttons until the motor 'jogs'. The motor is now deleted from all channels.

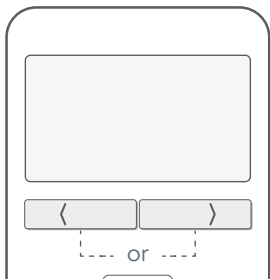
Intermediate stop-points



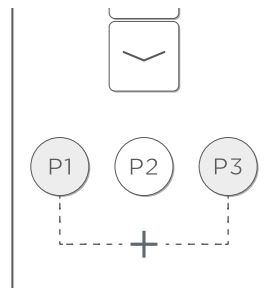
The motor can be set to automatically move the curtains to other positions besides fully open or closed. Default 'intermediate stop-points' are paired to the P1, P2 and P3 buttons on the remote control automatically.



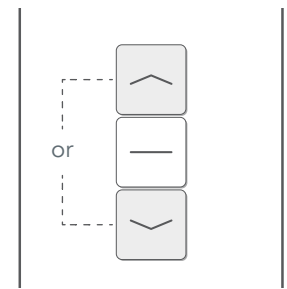
By default, pressing P1 will move the curtains to 25% closed, P2 to 50% closed and P3 to 75% closed, but these positions can be changed if preferred.



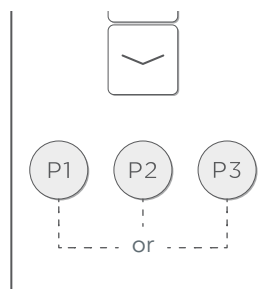
Select the channel/motor for which you want to set the new intermediate stop-point.



Press and hold the P1 and P3 buttons together until the motor 'jogs'. The motor is now in configuration mode.



Use the OPEN or CLOSE buttons to move the curtains to the desired position.



Press and hold either P1, P2 or P3 until the motor 'jogs'. The new intermediate stop-point is now set to that button.



Press and hold the STOP button until the motor 'jogs' to exit configuration mode.