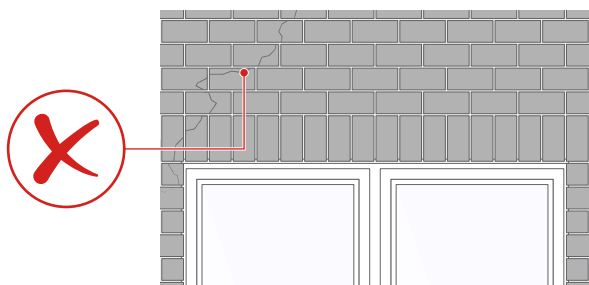


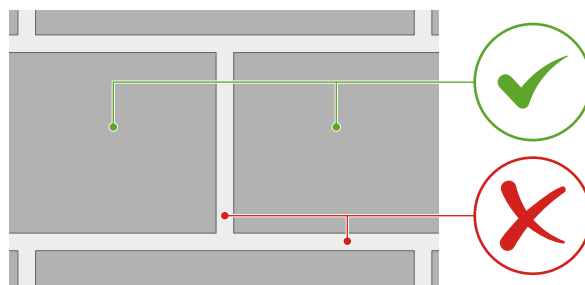
Important information before you begin...



Please note that we **STRONGLY** recommend using at least 2 people for this installation. Our awnings are designed for DIY installation but are very heavy, and attempting to install alone can be difficult and even dangerous.



Please check the fitting surface to ensure that the structure is sound. Cracks or any other damage to the area in which you're fitting could make the surface unsuitable to bear the weight of the awning.



When positioning your brackets, ensure that your fixings are **not** going to be installed in the mortar between bricks. Only attach the brackets to the brickwork itself.

To ensure the safety of users and the reliability of the awning, please:

DO

- Ensure that you have all tools and free space required before starting installation
- Check the awning before installing to ensure all of its bolts and fixings are fully tightened and secure
- Check the awning before installation (and every 3-6 months thereafter) for any flaws or damage
- Ensure that you have checked the fitting area as described above. If you have any doubts about the installation or the condition of the awning, please contact us before you begin installing

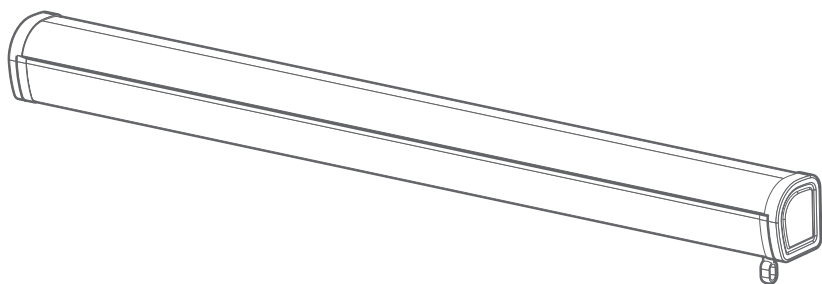
DO NOT

- Barbecue or have open fires below or around the awning
- Install the awning near fireplaces or other heat sources
- Operate the awning in especially cold or frosty conditions
- Allow operation of the awning by children
- Extend the awning during heavy rain or wind
- Modify or make adjustments to the awning or its parts
- Install on windows any higher than the ground floor
- Hang anything on the awning's frame or folding arms

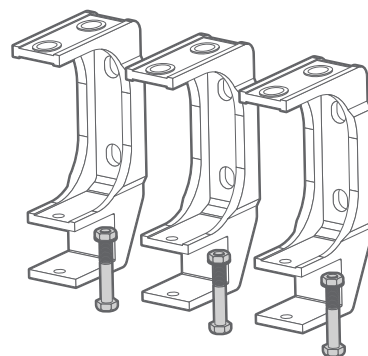
You will need...

- 1x Hammer drill
- 1x 14mm masonry drill bit
- 1x Hammer
- Pencil or marker
- 1x Long spirit level (or laser level)
- Spanner/wrench set (M10 & M12 required)
- Step ladders

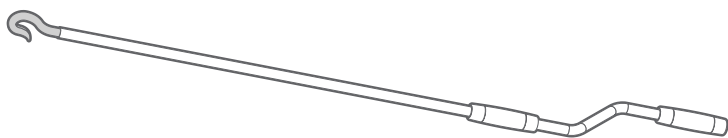
Included in the parcel...



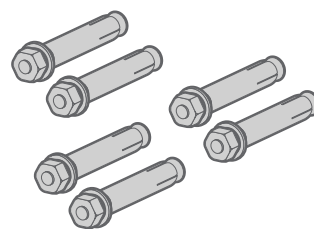
1x Awning



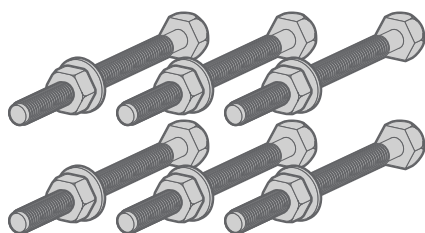
3x Mounting brackets with retaining bolts



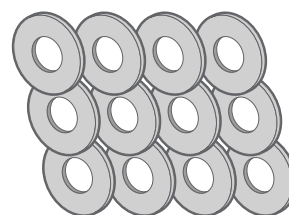
1x Crank handle



6x Wall anchors



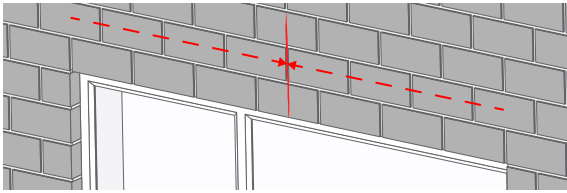
6x Timber MP10 bolts



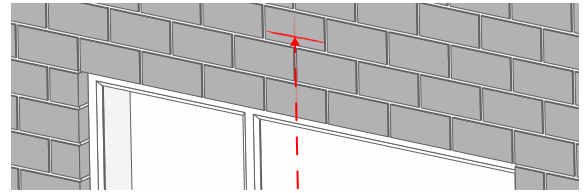
12x Washers

Line up and mark out your fitting location

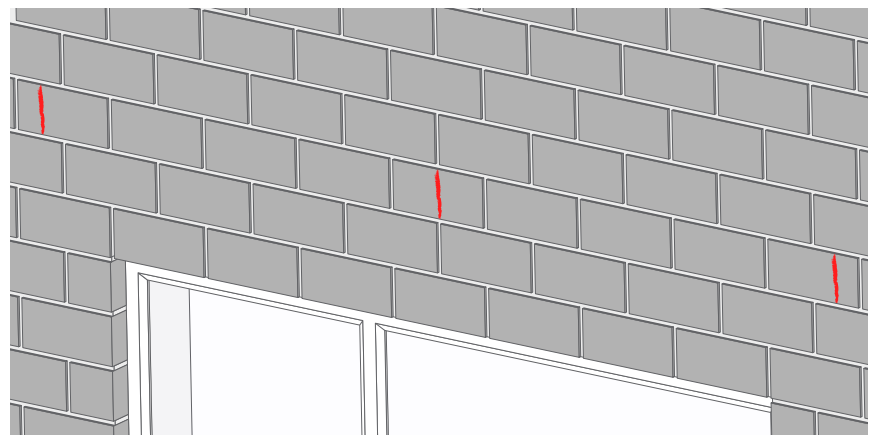
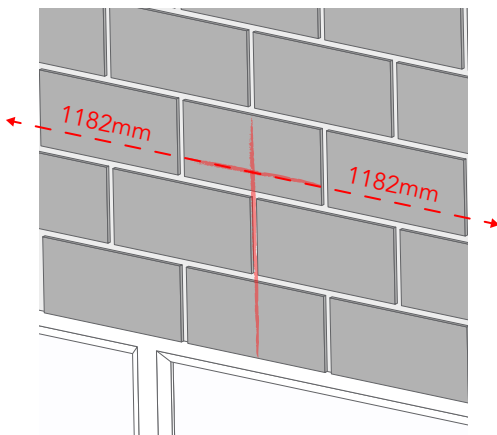
1



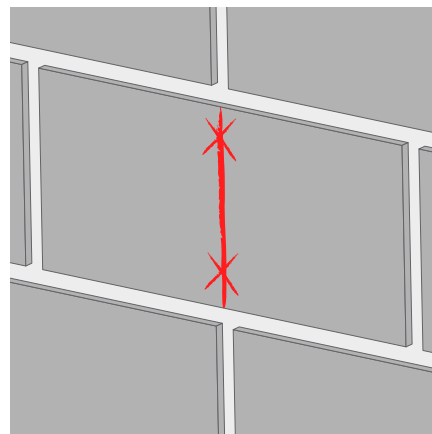
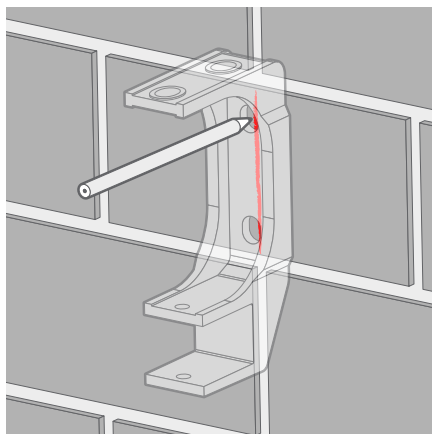
Find the centre point of the fitting area and use your pencil to mark a vertical line.



Measure 3m up from the ground, and make a horizontal mark crossing your vertical mark. This will be the fitting height of the brackets.



Your centre cross will be where your centre bracket will be fitted. The outer brackets will be fitted 1182mm away from the centre bracket, so measure that distance from your centre cross to each side and make two new vertical marks.



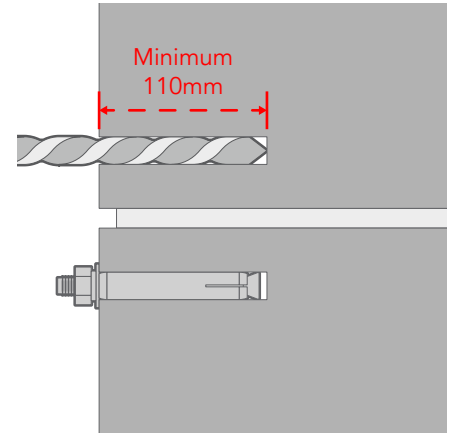
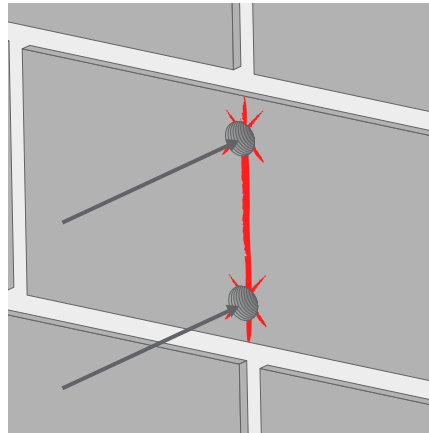
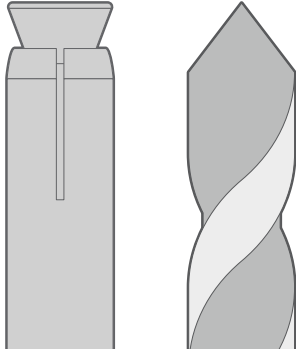
Centre the holes of a bracket on the brick where you marked your centre vertical line. Mark out the bracket holes, ensuring that neither of the holes will be in the mortar between the bricks. Do the same for the outer brackets.

Top-Tip

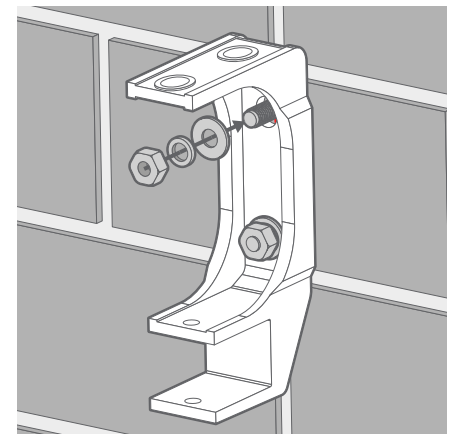
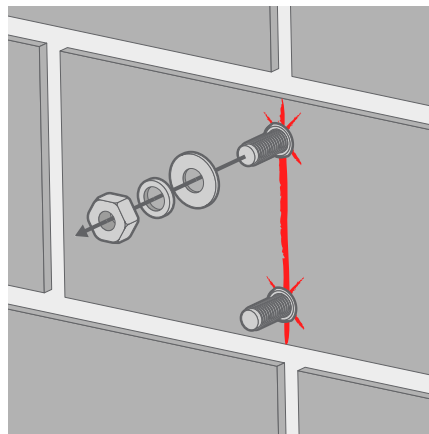
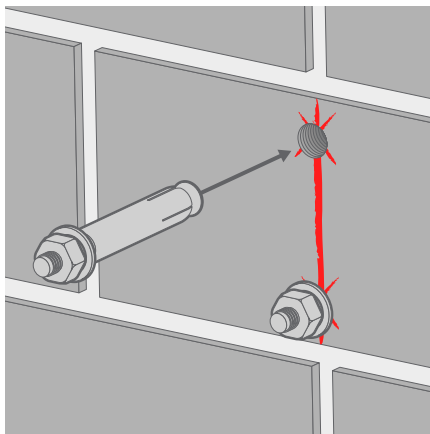
It's important that all three brackets rest along a straight horizontal line, so you may find it helpful to use a spirit level here to ensure your brackets will all be level.

Install the brackets

2



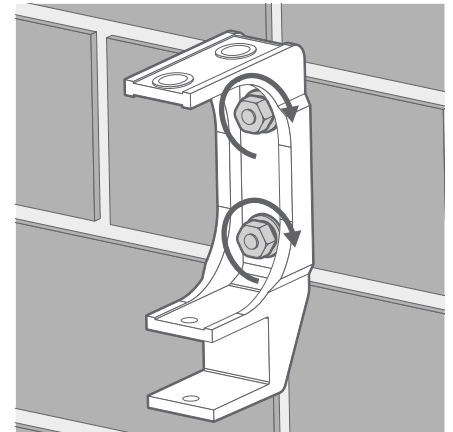
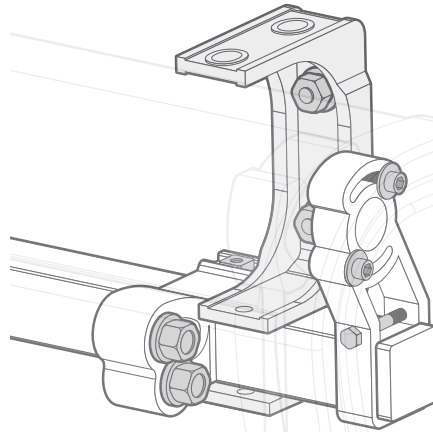
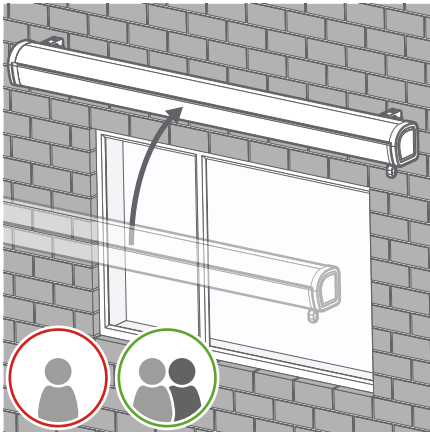
Using a drill bit that matches the diameter of the wall anchors, drill a hole at each screw-hole mark. The drill holes should be a minimum of 110mm deep.



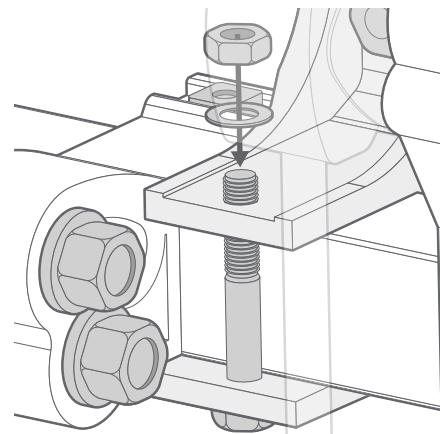
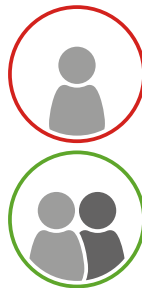
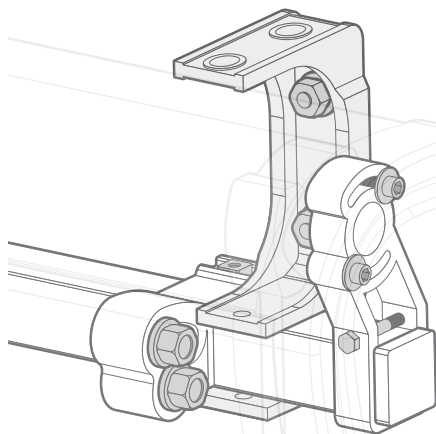
Take the wall anchors and screw on their nuts and washers with your fingers - they don't need to be tight. Hammer the anchors into your screw holes until the washers are touching the wall. Remove the nuts and washers, slot your brackets over the protruding bolts, then screw the nuts and washers back on to secure the brackets. At this stage we would recommend screwing them on loosely so that the anchors can be removed if you need to adjust their positioning later on; once fully tightened, the anchors will be tricky to remove.

Install the awning

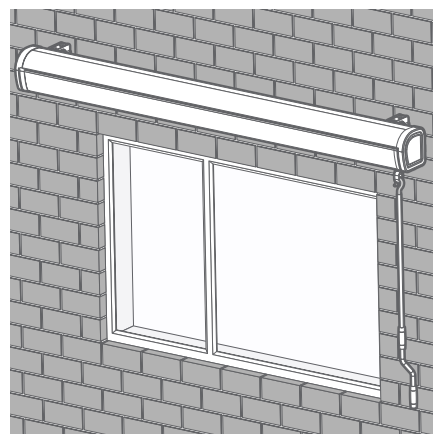
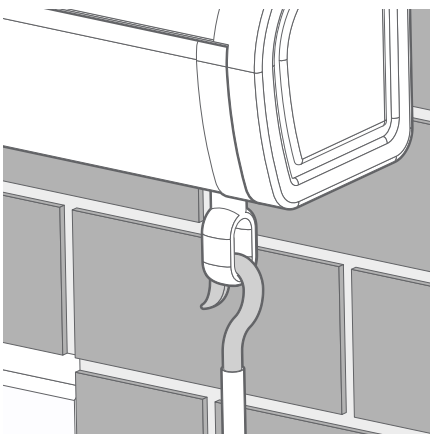
3



Lift the awning into place and check that the brackets sit in the correct position - The square bar at the back of the awning will slot into the open section on the lower part of the bracket. The outermost brackets should sit somewhere between the two outermost components attached to the square bar. If you're happy with the bracket positioning then remove the awning and fully tighten the bracket nuts to secure them in place.



Slot the awning's square back-bar back into the brackets. Use the provided retaining bolts to secure the bar in the brackets. Do this one at a time, starting with either the far left or far right bracket, with one person holding the other end of the awning steady whilst the other inserts and tightens the bolt. The person tightening the bolt can then head to the other end of the awning to repeat this process, finishing with the centre bracket.



IMPORTANT
It's important that you always have the awning either fully retracted or fully extended, as the extending arms are strongest in these positions. When fully extended, the extending arms should be slightly bent with a visible gap between them, not locked out straight.

Hook the crank handle onto the awning's crank mechanism to complete the installation.

Aftercare

Maintaining your awning properly throughout the year will greatly extend its lifespan and ensure that it remains reliable and in good condition for years to come. Follow these simple routines to correctly care for your awning:

- Remove the crank handle when the awning is not in use
- The fabric is hardwearing and weather resistant, but if it gets wet then take the next opportunity to extend the awning and allow the fabric to dry
- Clean all metal parts of the awning with warm water and a soft cloth or sponge, at least once a year
- Wipe the fabric with a soft cloth or sponge, using warm water and mild detergent, at least once a year
- Spray any moving parts of the awning (the crank mechanism in particular) with silicon spray or WD-40, twice a year
- Take down and store your awning somewhere dry when it is not being used for long periods

IMPORTANT

An awning is designed primarily for shading and sun protection. The awning should be fully retracted during periods of wind, heavy rain or snow. If it is left extended in these conditions there is a risk of damage to the awning or the structure to which it is installed.